



■ Vers. 001+033+038+057

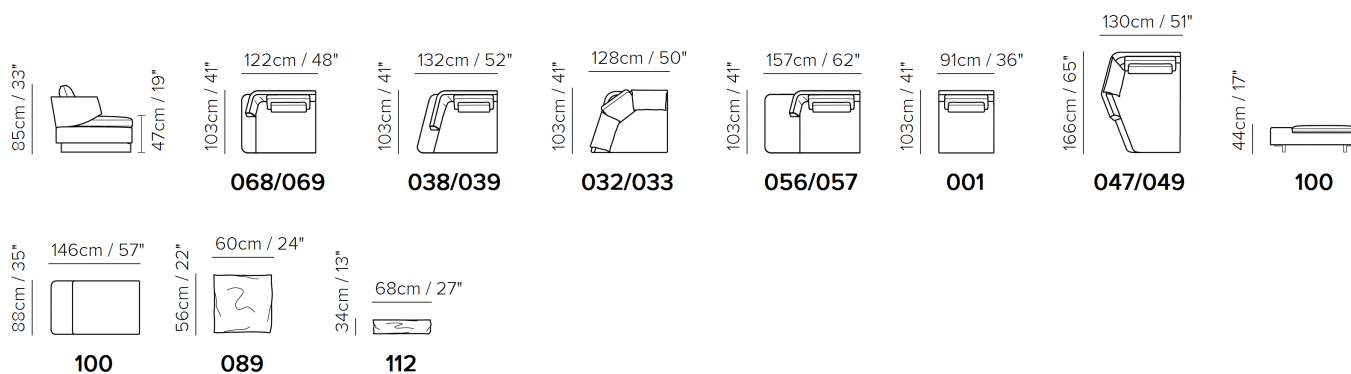


■ Vers. 001+033+038+057

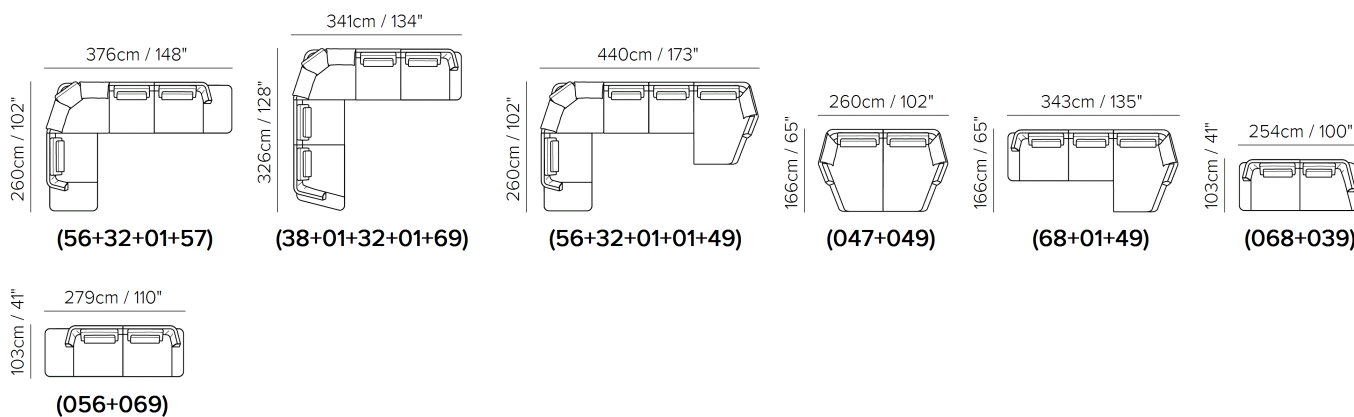


■ Vers. 001+033+038+057







SCHEMATICS



COMPOSITION EXAMPLES



TECHNICAL INFORMATION

	COVERING	Mix <input checked="" type="checkbox"/>	Leather <input checked="" type="checkbox"/>	Soft Cover <input checked="" type="checkbox"/>		
	LEGS	Wood <input type="checkbox"/>	Metal <input checked="" type="checkbox"/>	Plastic <input type="checkbox"/>	Castors <input type="checkbox"/>	Upholstered <input type="checkbox"/>
	FILLING	Arms <input type="checkbox"/> Fiber <input checked="" type="checkbox"/> Foam <input type="checkbox"/> Feather/Fiber Mix <input type="checkbox"/> Feather	Seat cushion <input type="checkbox"/> Fiber <input checked="" type="checkbox"/> Foam <input type="checkbox"/> Feather/Fiber Mix <input checked="" type="checkbox"/> Feather	Back cushion <input type="checkbox"/> Fiber <input checked="" type="checkbox"/> Foam <input type="checkbox"/> Feather/Fiber Mix <input checked="" type="checkbox"/> Feather		
	COMFORT	Standard Comfort <input checked="" type="checkbox"/>	Firm Comfort <input type="checkbox"/>			
	FUNCTION	Bed <input type="checkbox"/>	Electric motion <input type="checkbox"/>	Motion <input type="checkbox"/>	Recliner <input type="checkbox"/>	Sliding <input type="checkbox"/>
	OPTIONS	Nails <input type="checkbox"/>	Removable <input type="checkbox"/>	Contrast Stitching <input type="checkbox"/>		

NOTES

- Elegant, modern and especially versatile. The ample seat and the loose lumbar cushions with goose down fill, offer snug comfort.
- Opus features a special design in the armrest's extension, suspended by the backrest, the base metallic feet, giving the model a floating look.
- Leather/Fabric MIX CATEGORIES are based on the STARTING PRICE CATEGORY OF LEATHER combined with fabric = cat. 1A (cat.10 + fabric) - 1B (cat.15 + fabric) - 2A (cat. 20 ...) - 2B (cat. 25 ...) - 3A (cat. 30 ...) - 3B (cat. 35 ...) - 4A (cat. 40 ...) – 5E (cat. 55 ...)
- Seat cushion includes a layer of memory foam, a pressure-sensitive soft polyurethane, that recovers its form completely thus giving great comfort.
- Seat cushion zippered (the seat cushion is attached to the frame through a zipper)
- Back Cushion Zippered (the back cushion is attached to the frame through a zipper)
- Wood Frame
- Without Feet Assembled (the feet will be in a bag inside the package)
- Plastic Wrap (the model will be wrapped in a plastic bag)
- Feet available in metal finishings 75 (Glazed Nickel) / 77 (Glossy Chromed)
- Feet height 12,0 cm
- Versions 001/056/057/068/069 include 1 kidney pillow.
- Versions 032/033 include 2 small cushions and 1 large cushion.
- Versions 038/039 include 1 small cushion.
- Versions 047/049 include 1 small cushion and 1 kidney pillow.
- LEATHER-FABRIC MIX COVERING OPTIONS:

NOTES

- 1° COV. (Leather) = Frame
- 2° COV. (Fabric) = Seat and back cushions
- 3° COV. (Fabric) = Small cushion / kidney pillow
- THREE TONE COVERING OPTION IN FABRIC:
- 1° COV. = Frame
- 2° COV. = Seat and back cushions
- 3° COV. = Small cushion / kidney pillows