



■ Vers. 009

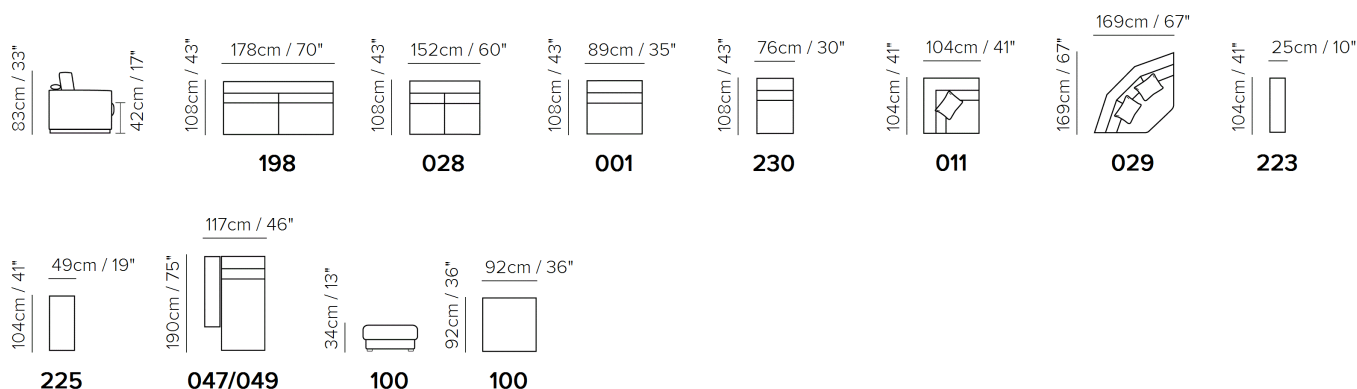


■ Vers. 225+198+049

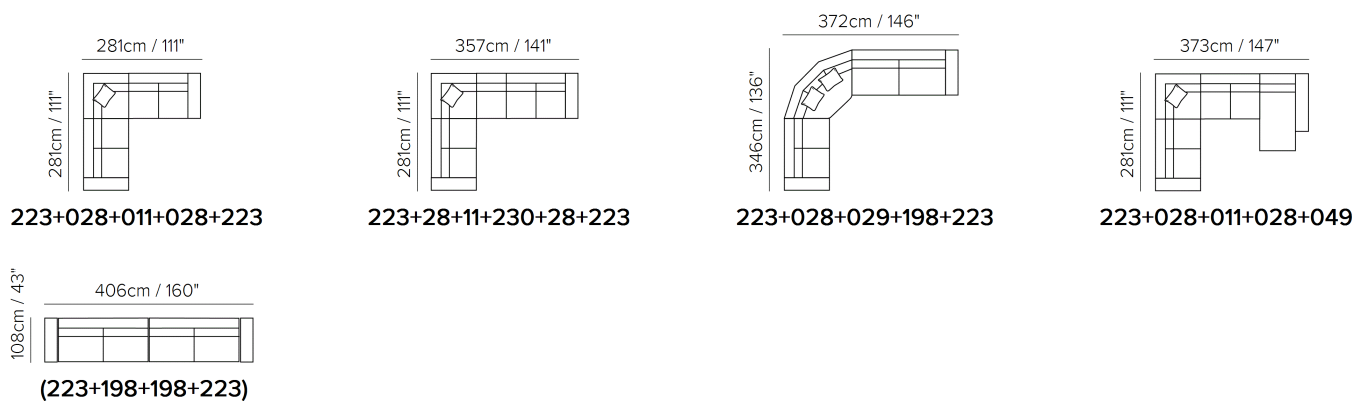


■ Vers. 047+028+029+028+001+223







SCHEMATICS



COMPOSITION EXAMPLES



TECHNICAL INFORMATION

	COVERING	Mix <input checked="" type="checkbox"/>	Leather <input checked="" type="checkbox"/>	Soft Cover <input checked="" type="checkbox"/>		
	LEGS	Wood <input checked="" type="checkbox"/>	Metal <input type="checkbox"/>	Plastic <input type="checkbox"/>	Castors <input type="checkbox"/>	Upholstered <input type="checkbox"/>
	FILLING	Arms <input type="checkbox"/> Fiber <input checked="" type="checkbox"/> Foam <input type="checkbox"/> Feather/Fiber Mix <input type="checkbox"/> Feather	Seat cushion <input type="checkbox"/> Fiber <input checked="" type="checkbox"/> Foam <input checked="" type="checkbox"/> Feather/Fiber Mix <input type="checkbox"/> Feather	Back cushion <input type="checkbox"/> Fiber <input checked="" type="checkbox"/> Foam <input checked="" type="checkbox"/> Feather/Fiber Mix <input type="checkbox"/> Feather		
	COMFORT	Standard Comfort <input checked="" type="checkbox"/>	Firm Comfort <input checked="" type="checkbox"/>			
	FUNCTION	Bed <input type="checkbox"/>	Electric motion <input type="checkbox"/>	Motion <input type="checkbox"/>	Recliner <input type="checkbox"/>	Sliding <input type="checkbox"/>
	OPTIONS	Nails <input type="checkbox"/>	Removable <input type="checkbox"/>	Contrast Stitching <input type="checkbox"/>		

NOTES

- Style, versatility and comfort for a model that can be easily placed in any setting.
- The main characteristics of this modular sofa are the freedom of set-up and the numerous types of elements which, when combined, provide the possibility of creating sophisticated and eclectic configurations.
- Unequalled comfort is paired with the purity and elegance, thanks to down padding and the generously sized seats.
- Side table in plexiglass included on all armrests. The leather versions may have different stitching from those in fabric.
- Model also available with slipcover with the model code Rxxx.
- Leather/Fabric MIX CATEGORIES are based on the STARTING PRICE CATEGORY OF LEATHER combined with fabric = cat. 1A (cat.10 + fabric) - 1B (cat.15 + fabric) - 2A (cat. 20 ...) - 2B (cat. 25 ...) - 3A (cat. 30 ...) - 3B (cat. 35 ...) - 4A (cat. 40 ...) – 5E (cat. 55 ...)
- Firm comfort option is available only for Italy.
- Seat cushion includes a layer of memory foam, a pressure-sensitive soft polyurethane, that recovers its form completely thus giving great comfort.
- Loose Seat Cushion (the seat cushions of the model are not fixed to the frame)
- With Leather Side (the sectional pieces come with leather sides)
- Wood Frame
- Without Feet Assembled (the feet will be in a bag inside the package)
- Feet available in wood finishings 09 (Walnut) / 18 (Wengè)
- Feet height 6,5 cm

NOTES

- Version 029 includes 2 small cushions.
- Version 011 includes 1 small cushion.
- LEATHER-FABRIC MIX COVERING OPTIONS:
 - 1° COV. (Leather) = Frame and welt
 - 2° COV. (Fabric) = Small pillow, seat and back cushions
- TWO TONE COVERING OPTIONS IN FABRIC:
 - 1° COV. = Frame
 - 2° COV. = Small pillow, seat and back cushions